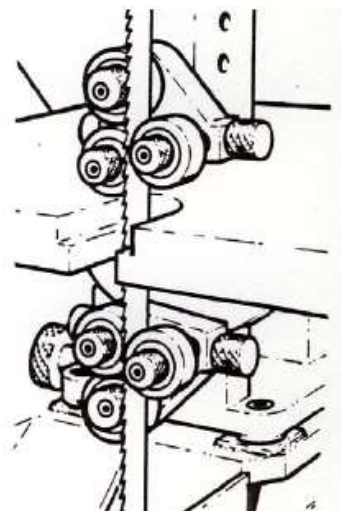


# A.L.T. SAWS AND SPARES LTD

## Universal Roller Blade Guides

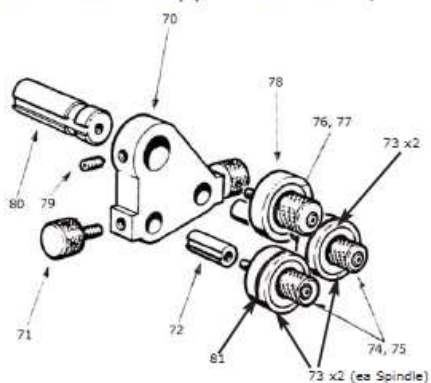
The universal roller blade guides are the most suitable for high speed sawing with light pressure and can be used with various widths of blades.

To set guides, adjust thrust rollers (item 78) to touch back of blade. Slacken off thumb screws (item 71) and adjust rollers (item 73) so they are set back clear of the saw teeth, and turn eccentric bushes (item 74) so the rollers support the saw blade. The guides utilise standard location points on the machine, and are therefore fully interchangeable with all other blade guides.

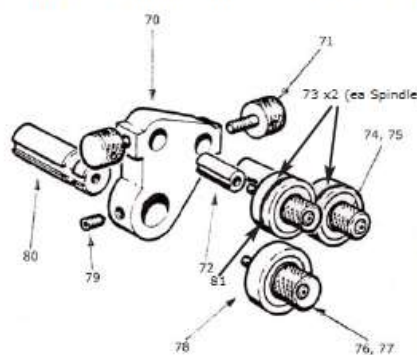


PART NUMBER SM1559/A – UPPER = £195.00+vat  
PART NUMBER SM1559/B – LOWER = £195.00+vat

Universal Roller Guide- Upper - SM1559/A



Universal Roller Guide- Lower - SM1559/B



SM1559/A Shown Fitted  
(all other parts not included)